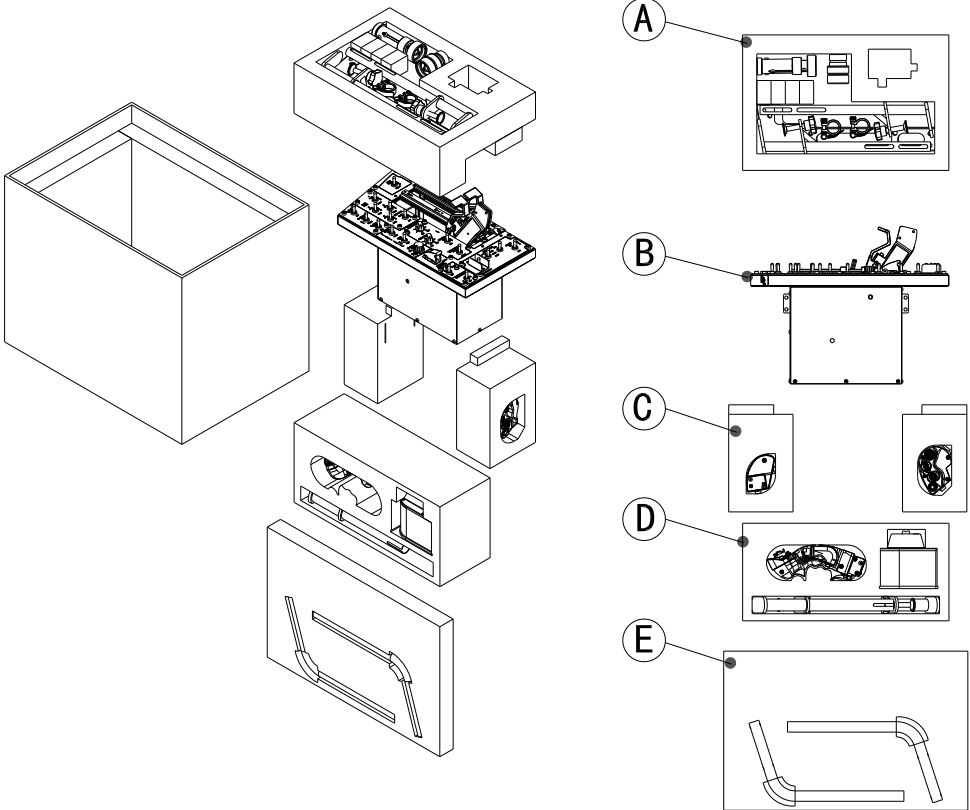


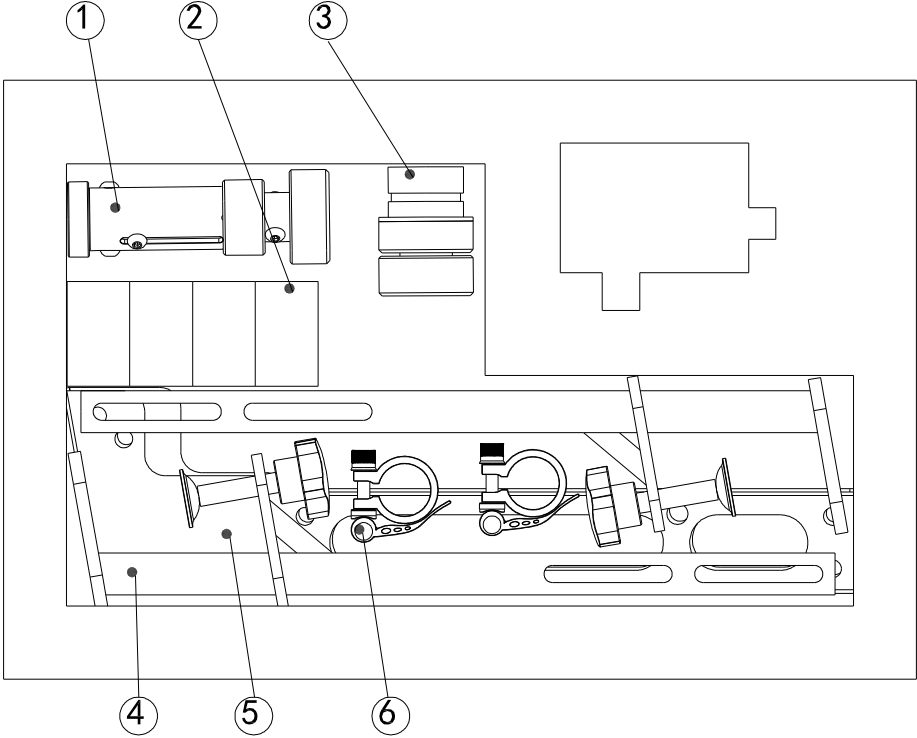
Installation Guide

Packing Diagram.....	1
A Side	1
B Side.....	2
C Side	3
D Side.....	3
E side	4
Throttle Installation	5
F/A18 throttle L/R grips Installation.....	5
Throttle desk mount Installation	5
Installation of Throttle desk mount.....	7
How to install on table with desk mount	8
Joystick Installation.....	8
Multi ways to install the joystick with base and add on	9
F/A18 joystick and base Installation.....	10
Joystick desk mount holder Installation	11

Packing Diagram



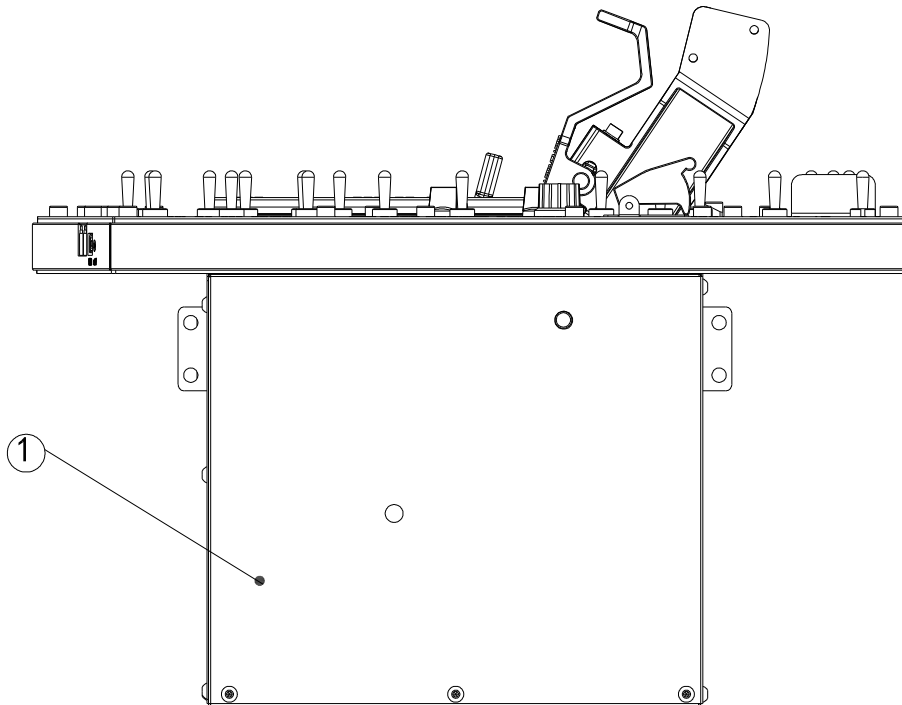
A Side



- 1. 1x Extension rod (Optional)
- 2. 4x T1-HOLDE/J1-HOLDER accessories

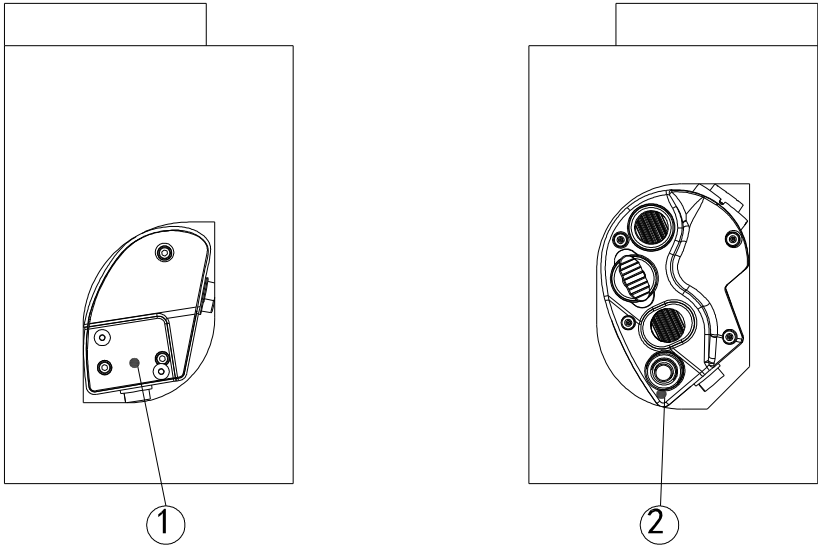
3. 1x Z axis kit (Optional)
4. 2x T1-HOLDER accessories
5. 2x T1-HOLDER accessories
6. 2x J1-HOLDER accessories
7. 1x Tool pack
8. 1x Kits pack

B Side



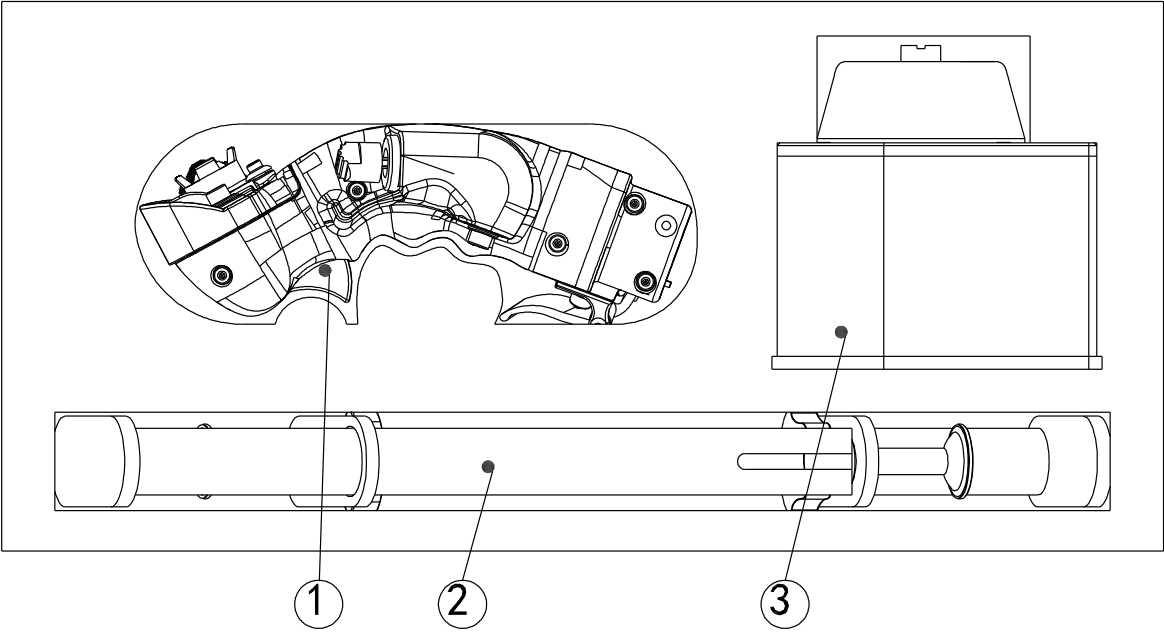
1. 1x Throttle base

C Side



- 1. 1x F/A18 throttle L grip
- 2. 1x F/A18 throttle R grip

D Side

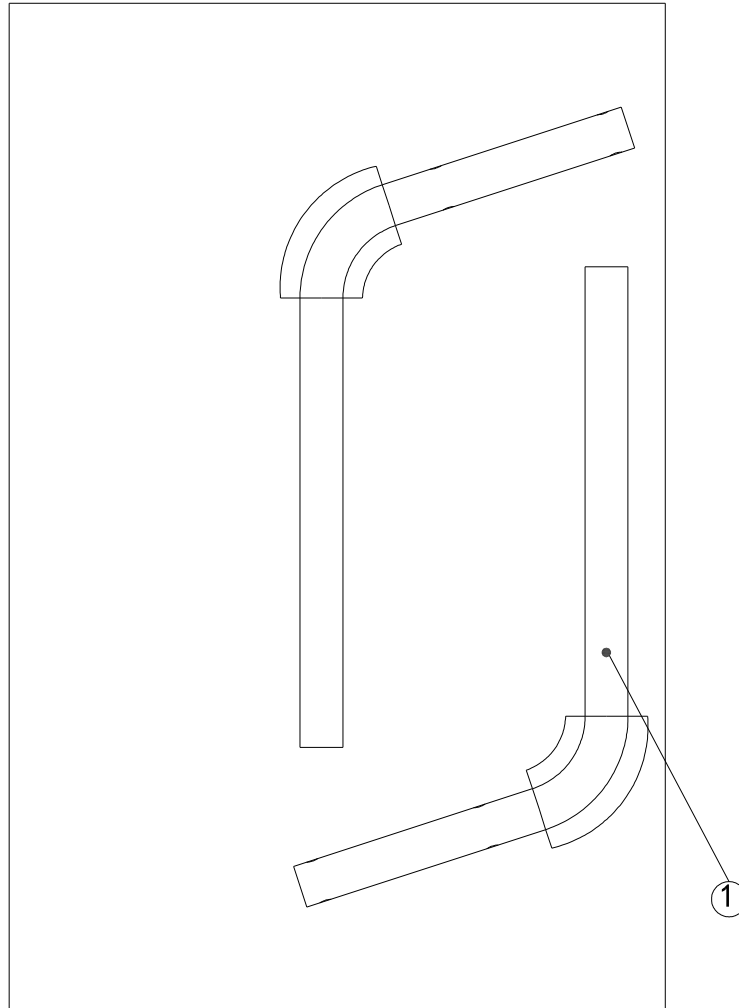


- 1. 1x F/A18 Joystick grip

2. 2x Joystick desk mount accessories

3. 1x Joystick Base

E side

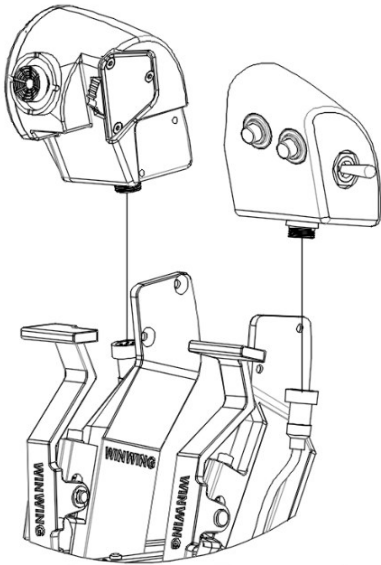


1. 2x Joystick desk mount holder

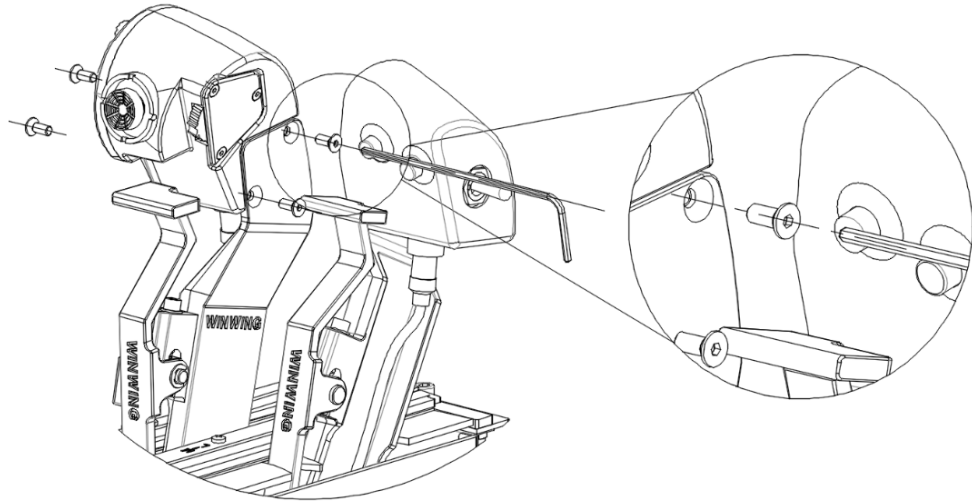
Throttle Installation

F/A18 throttle L/R grips Installation

STEP 1



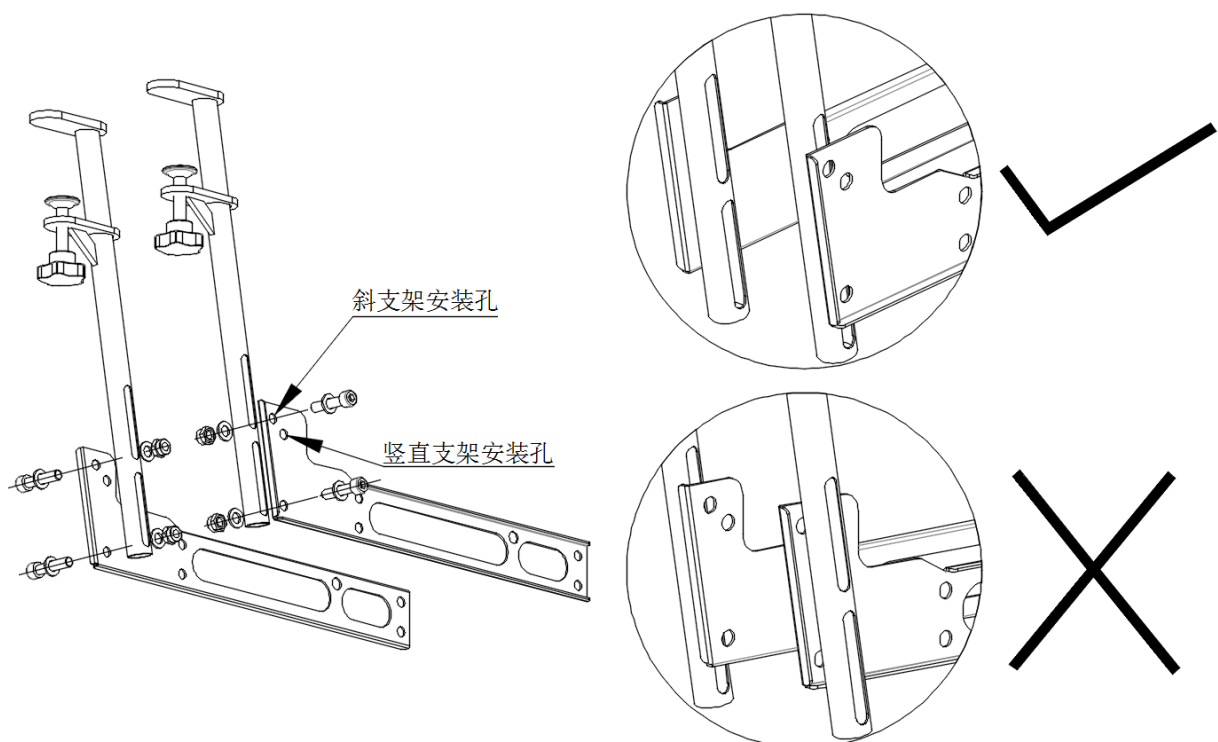
STEP 2



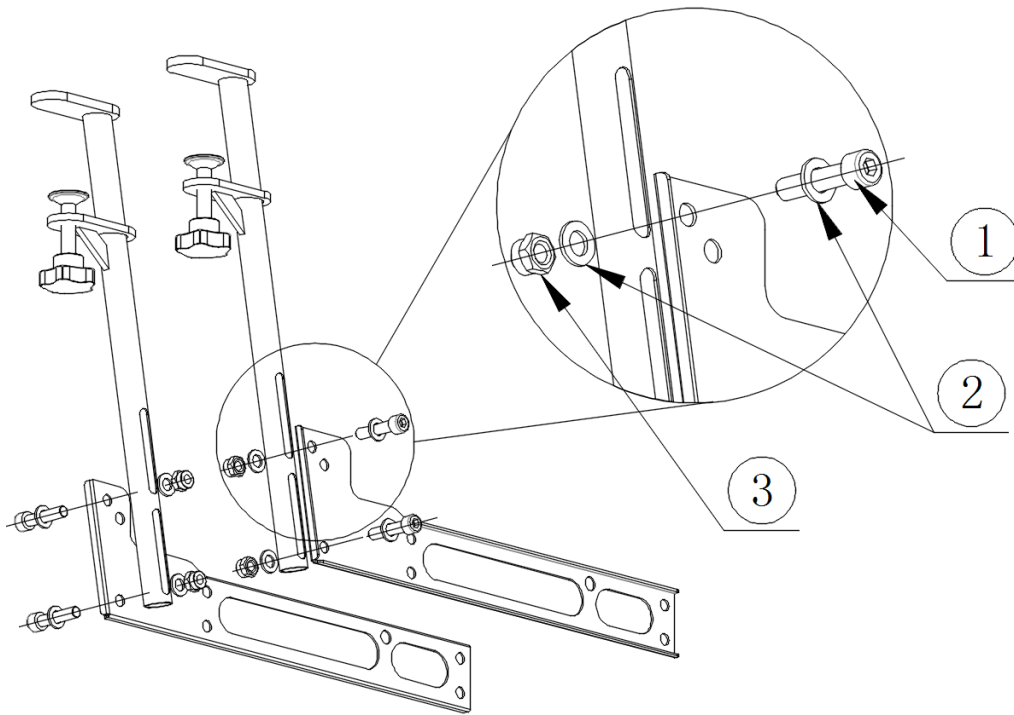
1. L/R throttle grips need connected to the aviation plug.
2. Use the pre-installed screw on grips to link the throttle arm.

Throttle desk mount Installation

Desk mount holder Installation



Place the holder in to the guide rails.
Please use the flat surface contact as shown in the picture.



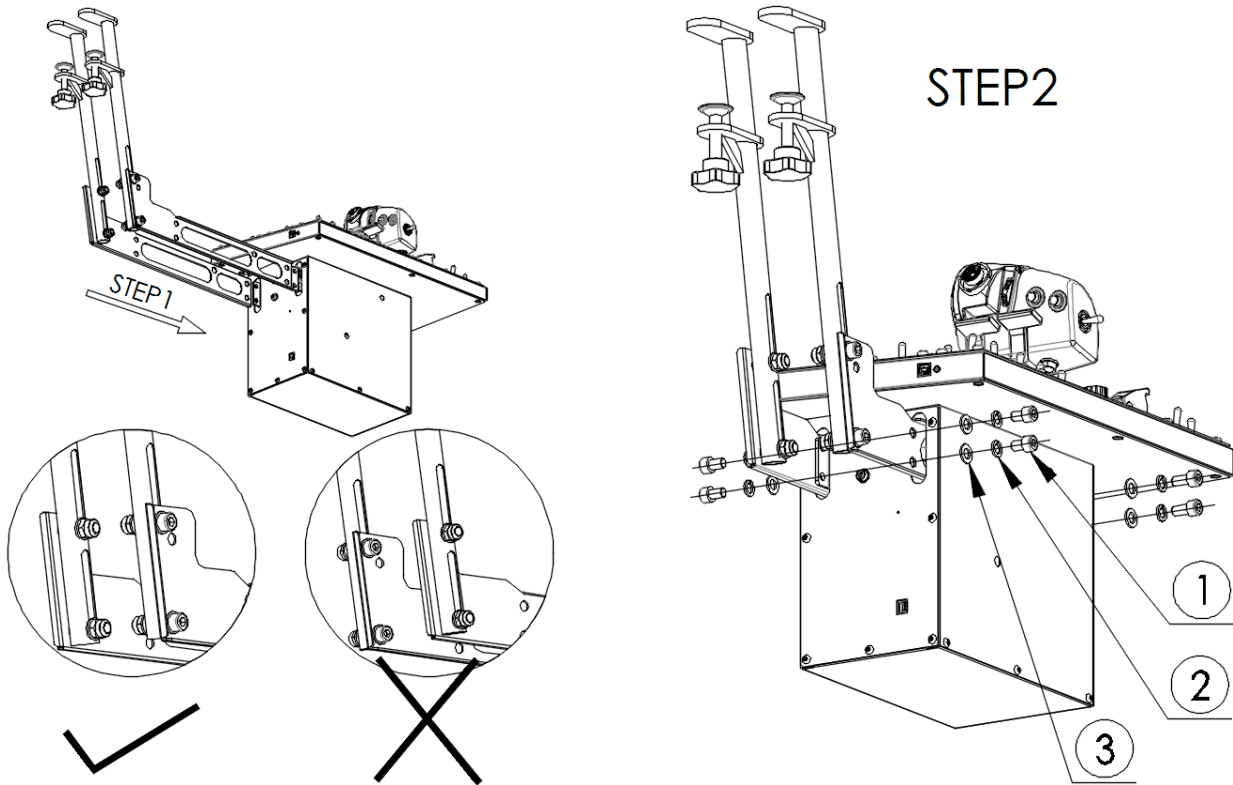
·Throttle desk mount holder accessories

①4 of M8 35mm type Allen screws

②8 of M8 type Screw washer

③4 of M8 type locknuts

Installation of Throttle desk mount

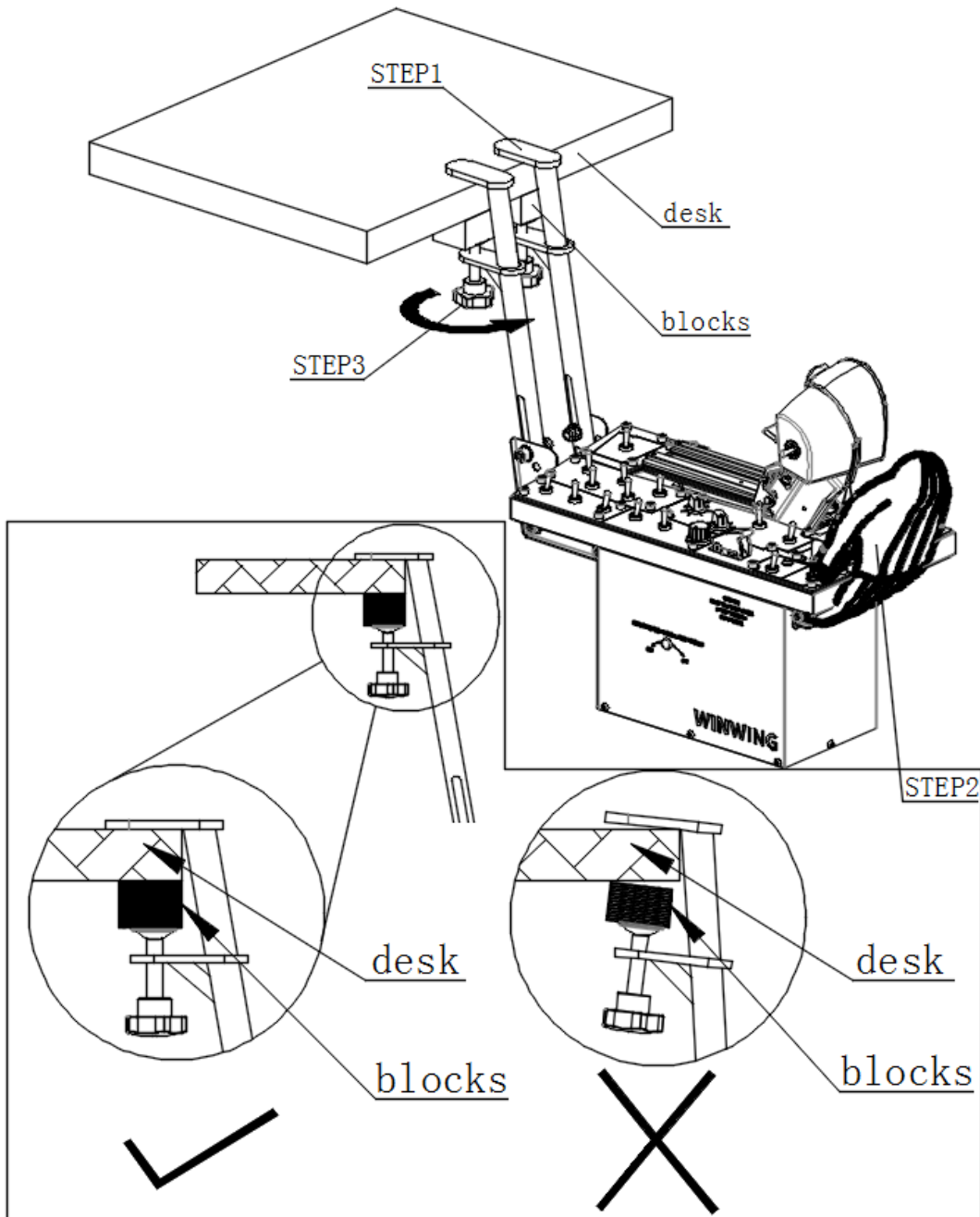


1. Insert the assembled desk mount into the throttle base. (When assembling, always ensure that the two round tubes are inside)
2. Install and tighten the screws

Throttle desk mount installation accessories

- ① 8 of M8 12mm-type Allen screws
- ② 8 of M8 type Elastic screw gasket
- ③ 8 of M8 type Flat screw gasket

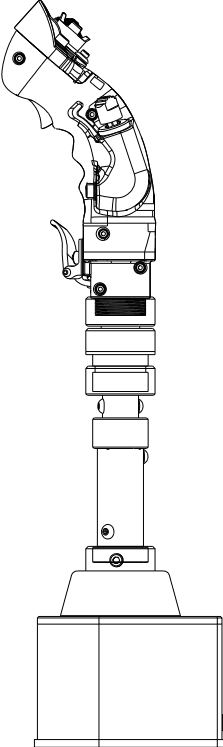
How to install on table with desk mount



1. The top of the desk mount depends on the surface of the table.
2. Hold the end of the unit with your hand to ensure that the device is in the position shown.
3. Tighten the fixed handle.

Joystick Installation

Multi ways to install the joystick with base and add on

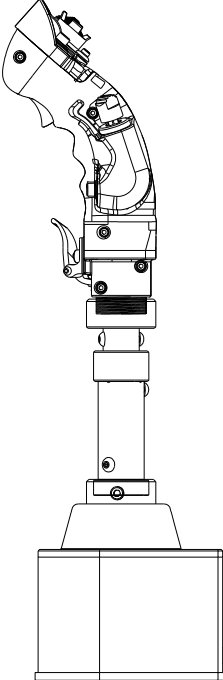


J1-base

+extension rod

+Z axis kit

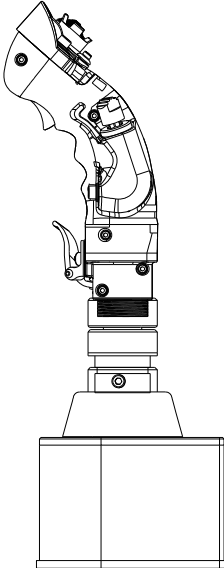
+F18-JGRIP



J1-base

+extension rod

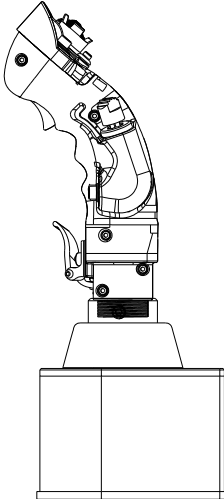
+F18-JGRIP



J1-base

+Z axis kit

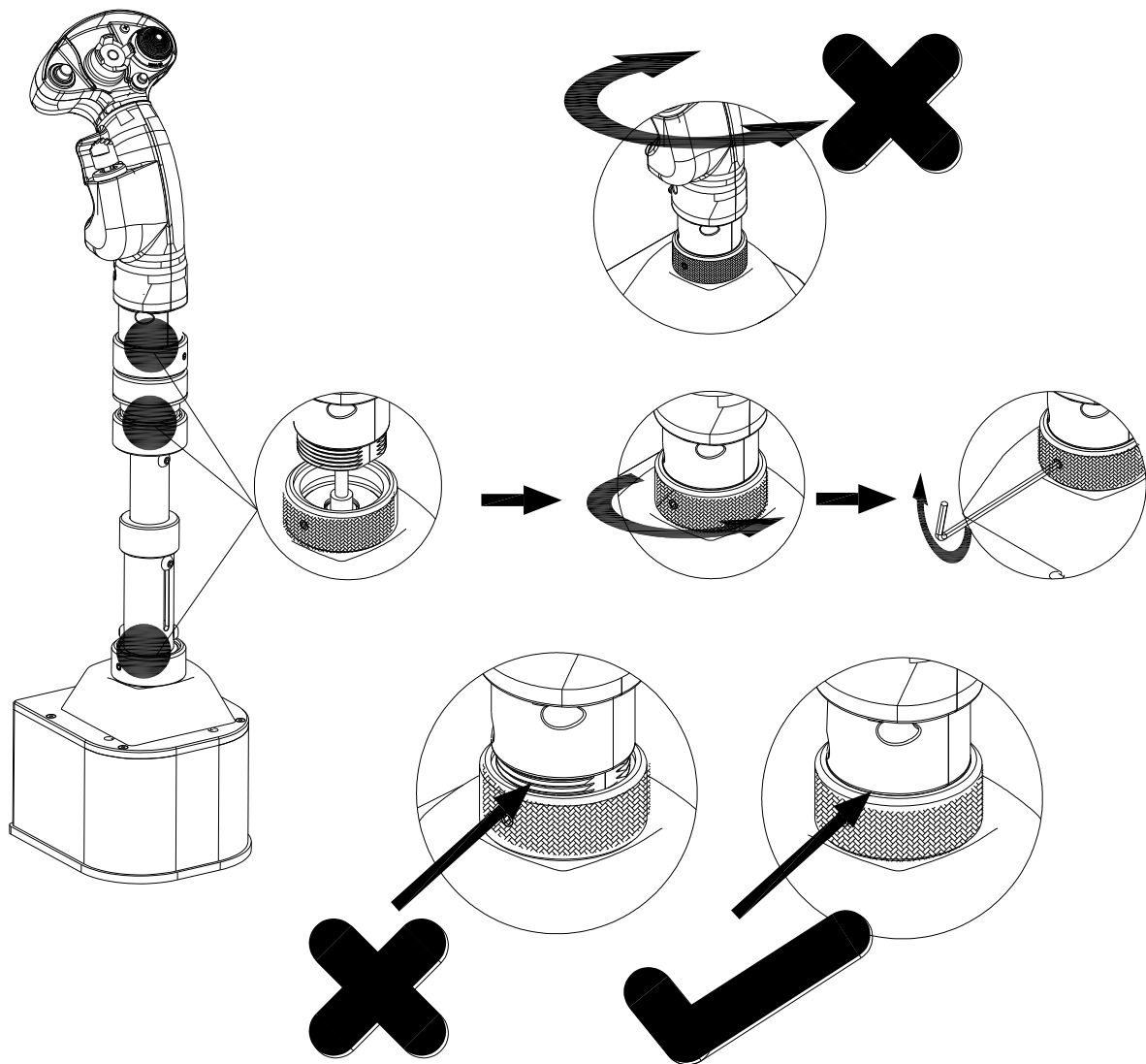
+F18-JGRIP



J1-BASE

+F18-JGRIP

F/A18 joystick and base Installation

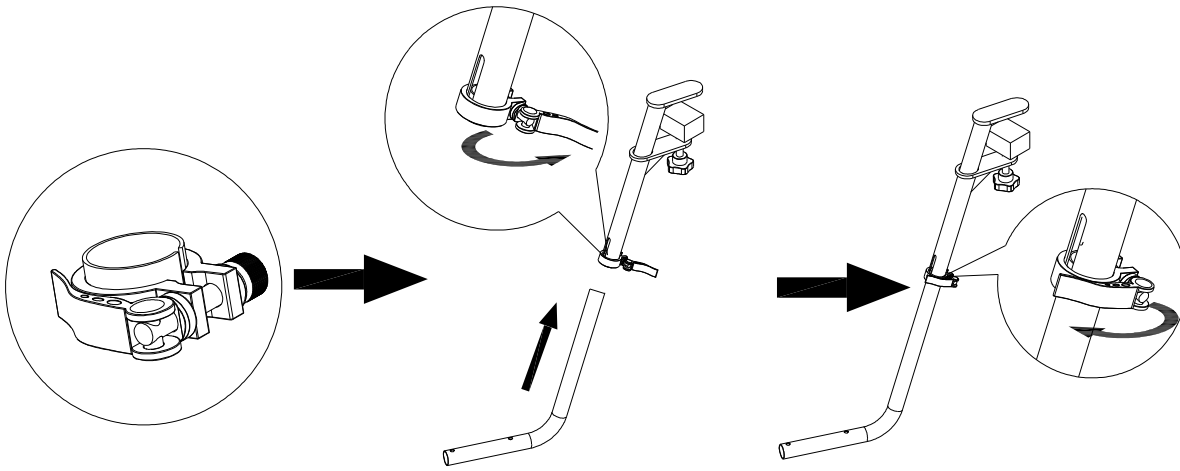


1. Insert the PS2 connector
2. Turn the knurled cover counterclockwise (Only twist the knurled cover during disassembly and assembly, otherwise the wiring will be damaged)
3. Use a screwdriver to tighten the knurled cover clockwise.

Note: The connection steps of other components are the same, and the operation steps are reversed when disassembling.

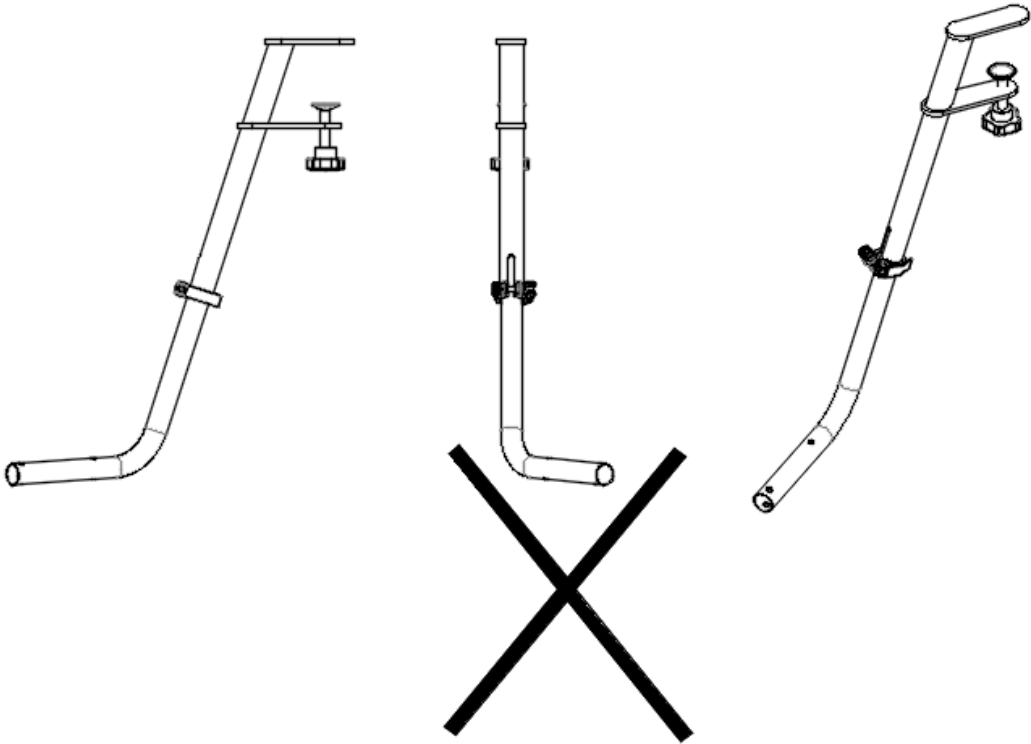
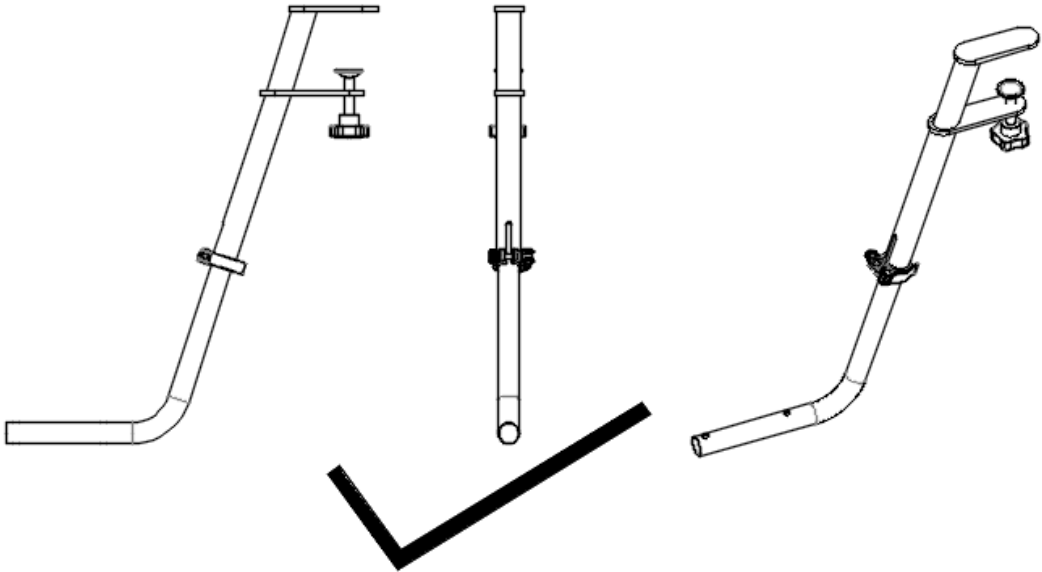
Joystick desk mount holder Installation

Holder Installation

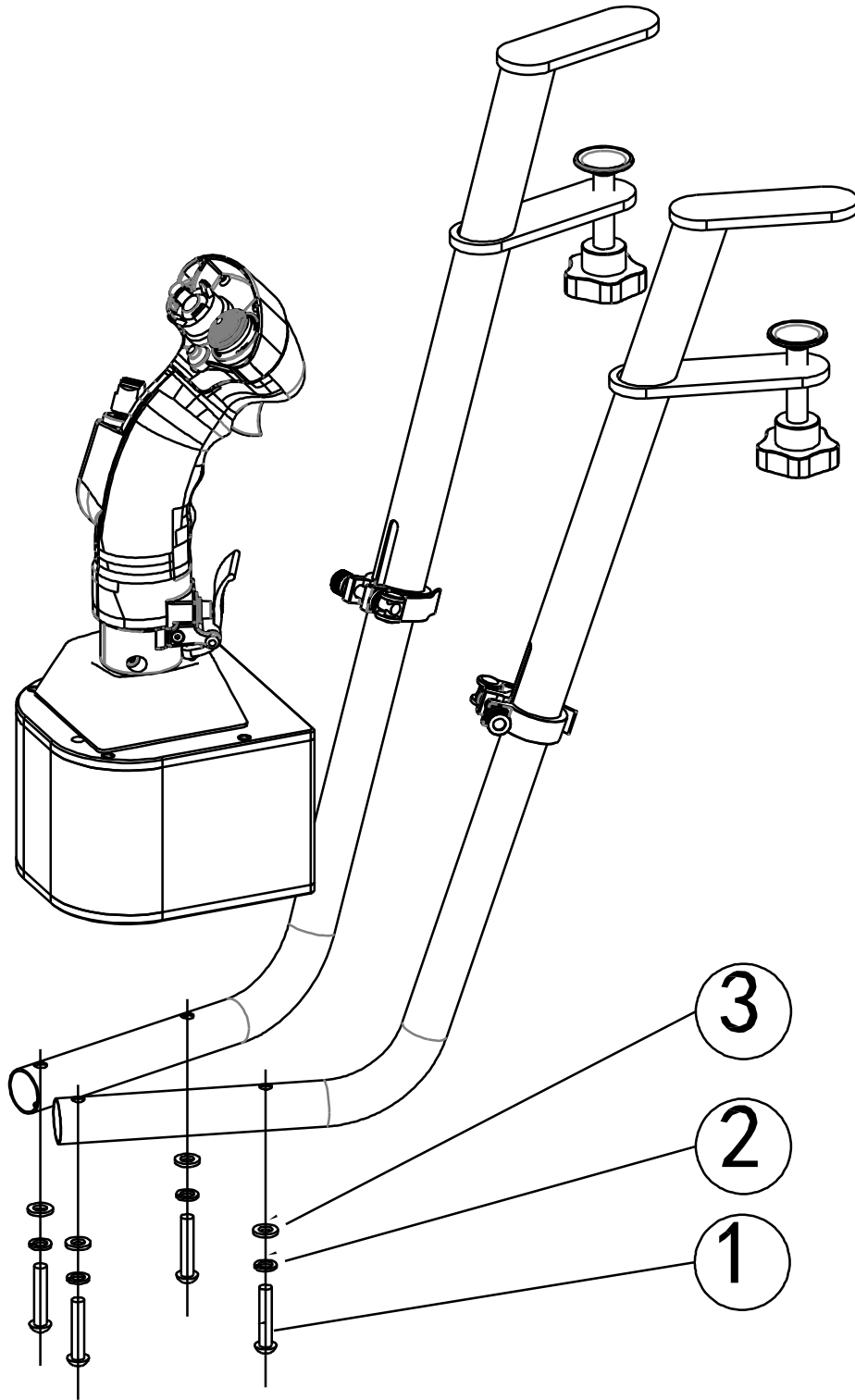


- 1. Make sure the rubber ring is placed in the locking clip**
- 2. Open the locking clip and insert it into the tube to fit the two round tubes.**
- 3. Fit the two round tubes and tighten the locking clips.**

Note: As shown in the figure below, please ensure that the brackets are in the same plane without skewing during assembly. Ensure that the two brackets are of the same height.



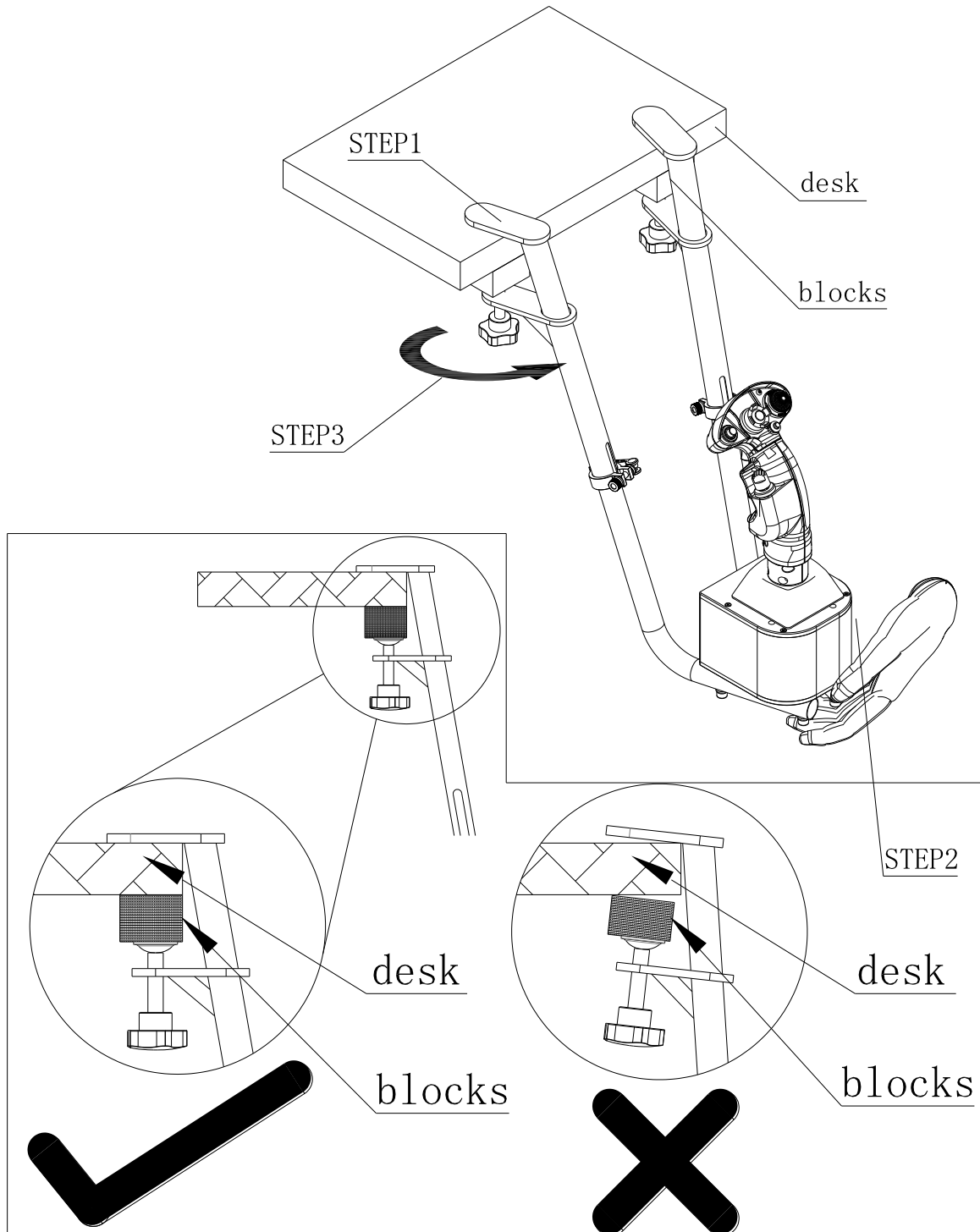
Install Joystick base with desk mount



Joystick desk mount accessories

- ① 4 of M6 30mm-type Allen screws
- ② 4 of M6 type Elastic screw gasket
- ③ 4 of M6 type Flat screw gasket

How to install on table with desk mount



1. The top of the desk mount depends on the surface of the table.
2. Hold the end of the unit with your hand to ensure that the device is in the position shown.
3. Tighten the fixed handle.